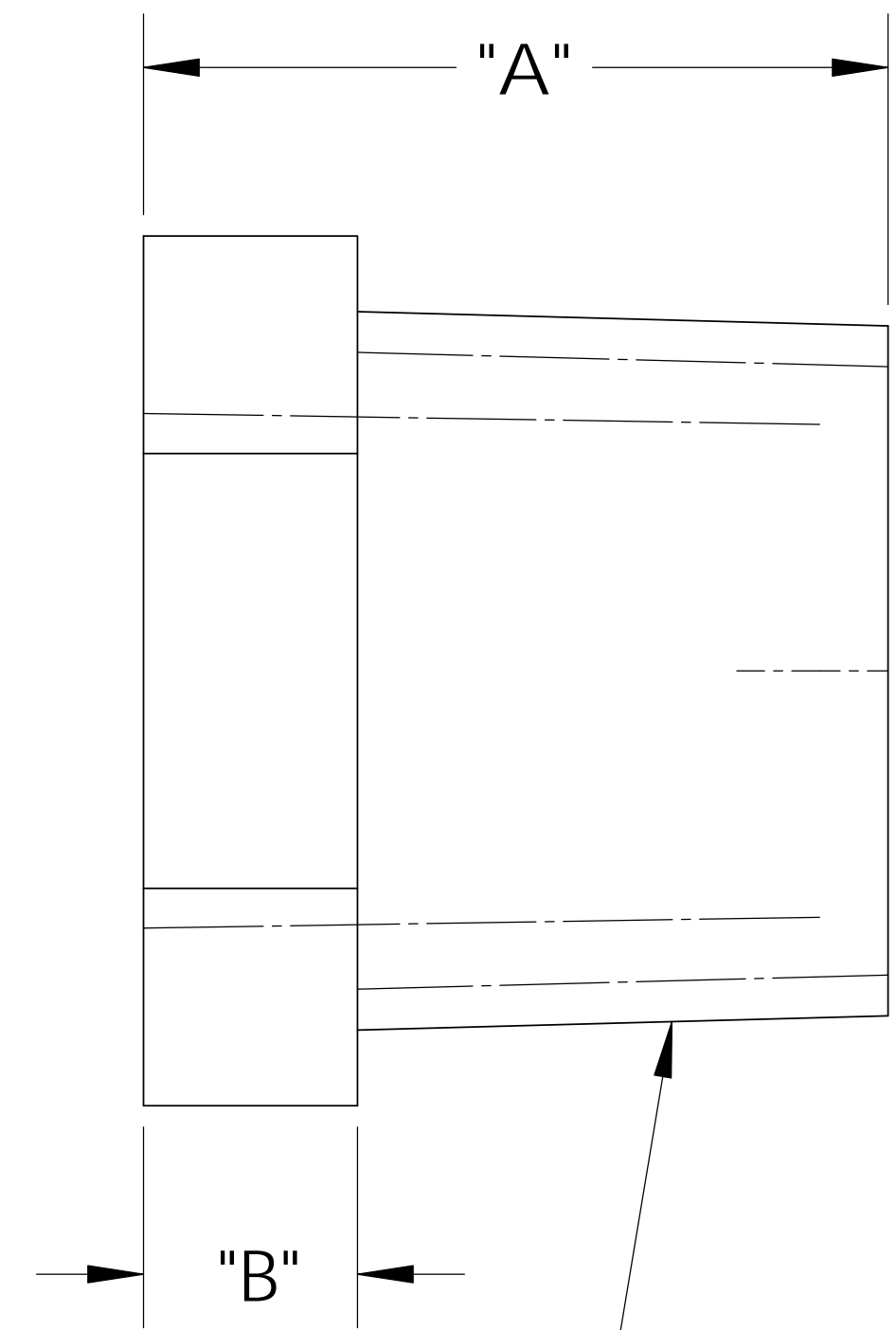
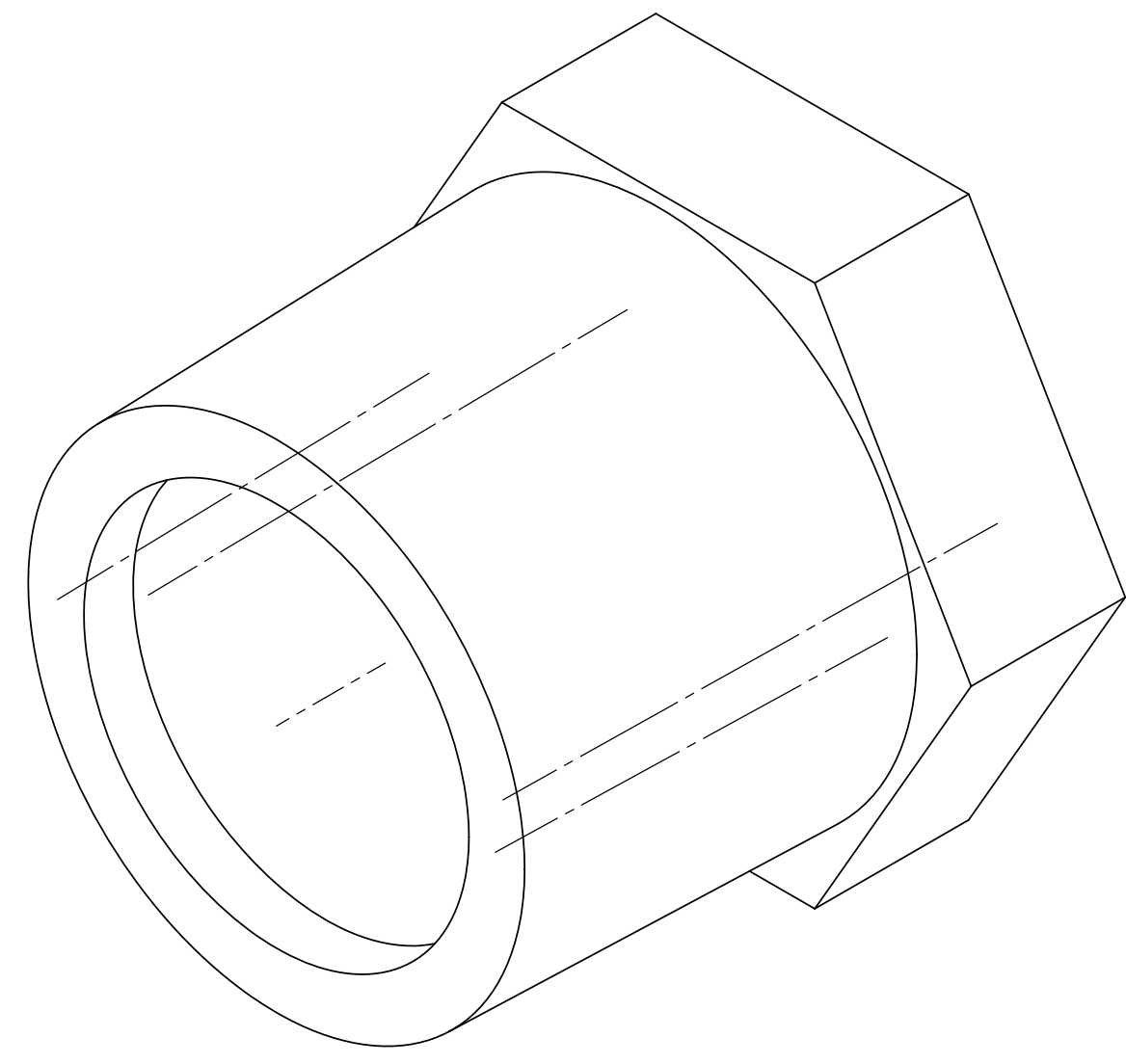
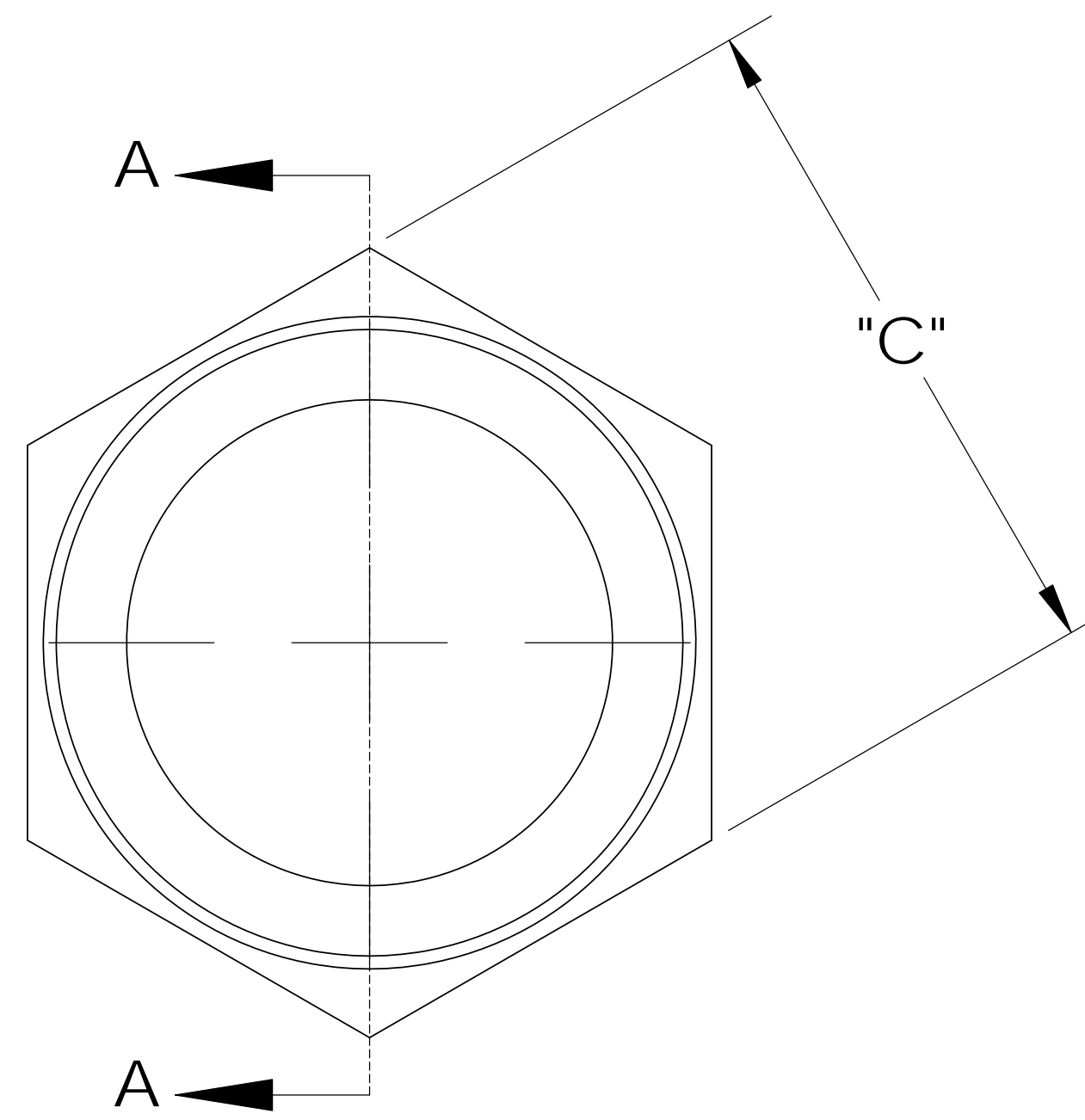


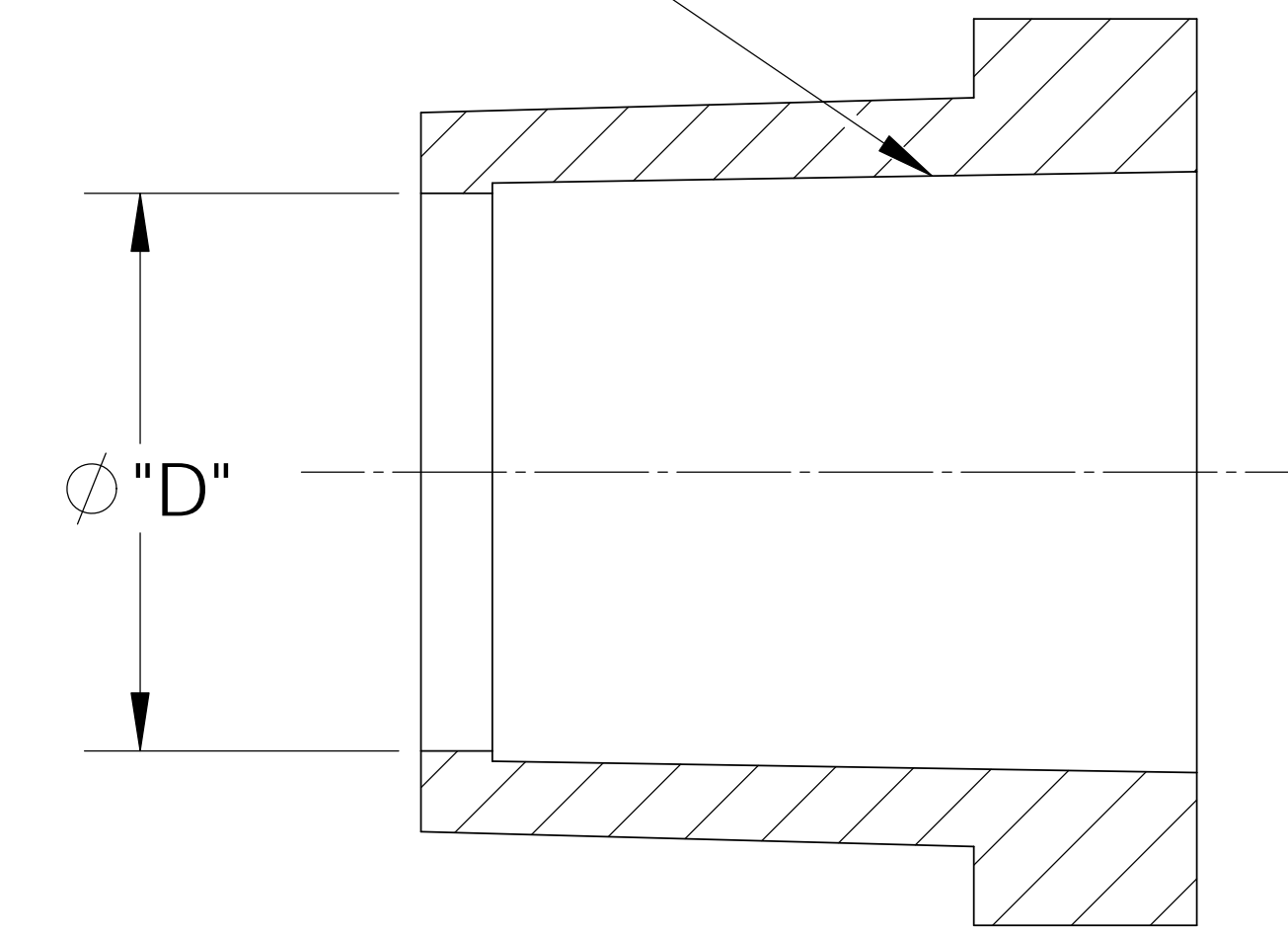
8 7 6 5 4 3 2 1



MALE 1/2"-14 NPT



FEMALE 3/8"-18 NPT



SECTION A-A

D

C

B

A

D

C

B


A

NOTES:

- 1) POLYPROPYLENE HAS COLOR OPTIONS:
 BLACK = TRB1238/PPB
 NATURAL = TRB1238/PPN

PROPRIETARY AND CONFIDENTIAL
 THE INFORMATION CONTAINED IN THIS DRAWING IS THE SOLE PROPERTY OF THOGUS PRODUCTS COMPANY. ANY REPRODUCTION IN PART OR AS A WHOLE WITHOUT THE WRITTEN PERMISSION OF THOGUS PRODUCTS COMPANY IS PROHIBITED.

	CATALOG NO.	DESCRIPTION	MATERIAL	DIM "A"	DIM "B"	DIM "C"	DIM "D"
	TRB1238/PP	1/2" NPT X 3/8" NPT PP	POLYPROPYLENE	.865	.245	.87	.615
SHOWN	TRB1238/N	1/2" NPT X 3/8" NPT N	NYLON	.870	.250	.88	.625

D	95.00156	CONVERTED TO 3D FORMAT	UNLESS OTHERWISE SPECIFIED: DIMENSIONS ARE IN INCHES TOLERANCES: ANGULAR: ±0.5° X.X = ± 0.1 X.XX = ± 0.05 X.XXX = ± 0.015 REMOVE ALL SHARP EDGES AND BURRS BLEND ALL RADII TO 0.01IN INTERPRET GEOMETRIC TOLERANCING PER: ANSI Y 14.5 1994 MATERIAL: PP, N FINISH: NA THIRD ANGLE PROJECTION:	NAME	DATE	 Thogus <small>You think it, we can make it...</small> 33490 PIN OAK, AVON LAKE, OH 44012 TITLE: 1/2" NPT MALE X 3/8" NPT FEMALE REDUCER BUSHING SIZE B DWG. NO. TRB1238 REV D
				DRAWN	JRM	
CHECKED	KDJ	05/31/11				
ENG APPR.		XX/XX/XX				
MFG APPR.		XX/XX/XX				
				Q.A.	XX/XX/XX	
REV	WRO#	DESCRIPTION	COMMENTS:		DO NOT SCALE DRAWING	
		HISTORY			SCALE: 2:1	SHEET 1 OF 1